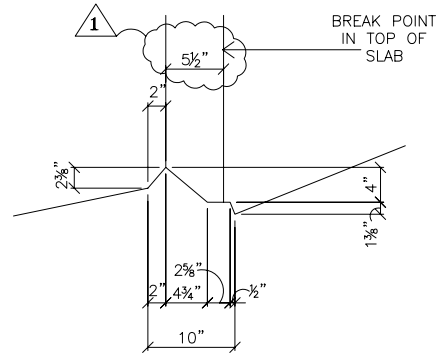
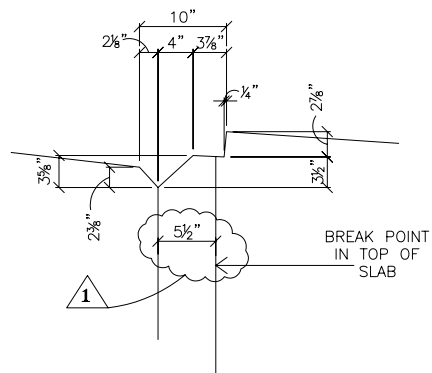


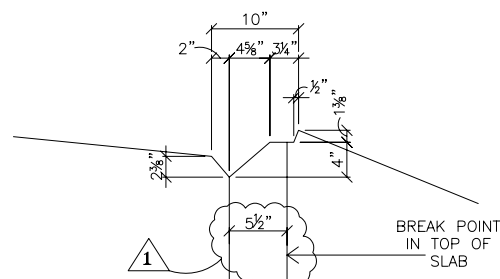
1 PARTIAL PLAN - DIMENSIONS



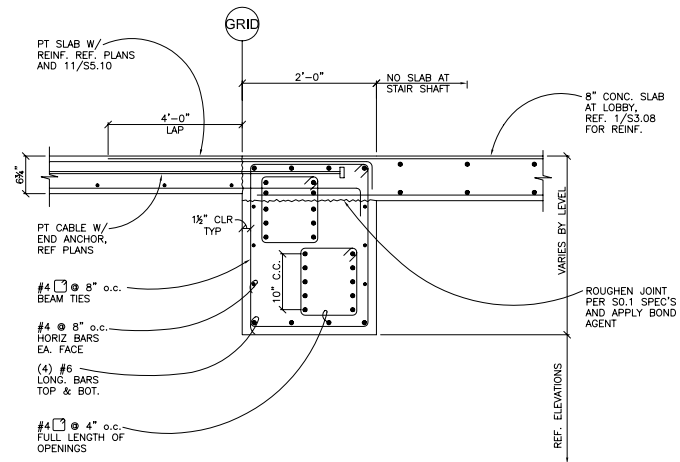
2 PARTIAL PLAN - DIMENSIONS



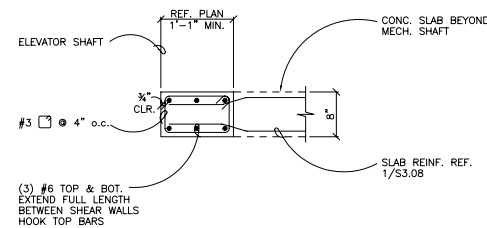
3 PARTIAL PLAN - DIMENSIONS



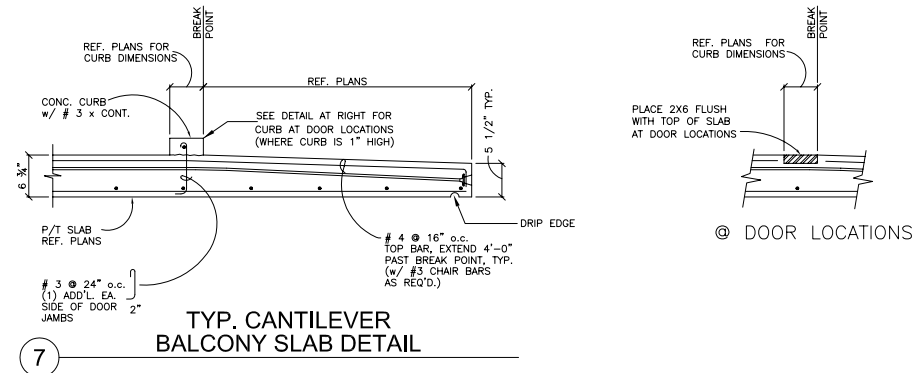
4 PARTIAL PLAN - DIMENSIONS



5 SECTION AT COUPLING BEAM



6 CONC. BEAM AT ELEVATOR SHAFT



7 TYP. CANTILEVER BALCONY SLAB DETAIL

NOTES:

- 1) XX'-X" TOP OF SLAB
XX'-X" BOT. OF SLAB

No.	Revision/Issue	Date
1	REVISIONS PER ASI 16	6-15-05
	RE-ISSUED FOR FIELD USE FOR LEVELS 6-19	2-14-05
	ISSUED FOR FIELD USE	2-8-05

GAR
ENTERPRISES, LLC
1376 W. MARLIN DRIVE
CHANDLER, AZ 85248
PHONE & FAX: 480-899-5367
E-MAIL: GARNETTE@CONNET

GAR ENTERPRISES, LLC
DRAWING DISCLAIMER
NOTE: GAR ENTERPRISES, LLC HAS DEVELOPED THIS DRAWING FROM INFORMATION PROVIDED BY THE CONTRACTOR, AS LISTED ON TITLE BLOCK OF THIS DWG. ALL INFORMATION SHALL BE VERIFIED BY SAID CONTRACTOR BEFORE UTILIZING IT FOR ACTUAL CONSTRUCTION PURPOSES.

HOFFMAN STRUCTURES, INC.
THE MERIWETHER
PORTLAND, OR

Project # 2322003	Sheet WT-5A
FEBRUARY 8, 2005	
Scale N.T.S.	

WEST TOWER
LEVELS 5-19 SLAB DETAILS