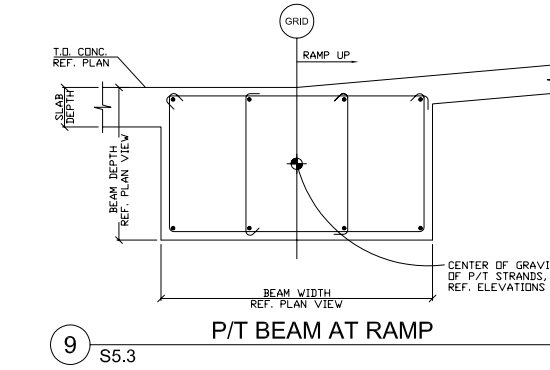
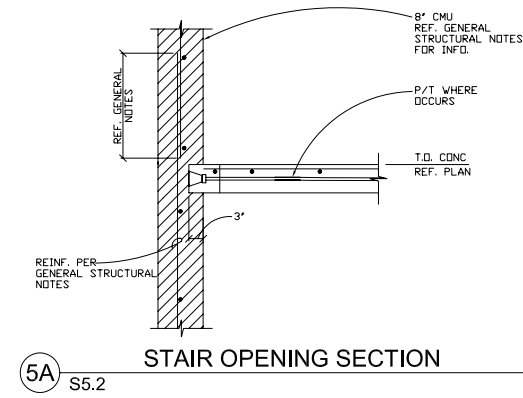


POST-TENSIONING SLAB SCHEDULE							
MARK	THICKNESS (IN)	FORCE (K/FT)	BONDED REINFORCEMENT			REMARKS	
			SPAN	BOT. REINF.	TOP REINF.		
S-1	5	9				REF. 2/S4.1 FOR TYP. SLAB REINF. REF. PLAN FOR REINF. AT FOUR STRIP	
S-1A	5	17.25	2-3	#4 @ 16" o.c.	3	#4 @ 12" o.c.	REF. 2/S4.1 FOR TYP. SLAB REINF.
S-2	5*	14.5	4-5	#5 @ 16" o.c.	3, 4, 5	#5 @ 16" o.c.	P/T TO BE 1" BELOW TRENCH DRAIN BOTTOM 8" SLAB, CONTRACTOR TO COOR. W/ ARCH. REF. 2/S4.1 FOR SLAB REINF.
S-3	7	22					REF. 3/S4.1 FOR SLAB REINF.
S-3A	7	39	7-8	#6 @ 12" o.c.	8	#6 @ 10" o.c.	REF. 3/S4.1 FOR SLAB REINF.
S-3B	7	30					REF. 3/S4.1 FOR SLAB REINF.
S-3C	7	30					REF. 3/S4.1 FOR SLAB REINF.
S-3D	7	13					REF. 3/S4.1 FOR SLAB REINF.
S-4	6	27	6-7	#6 @ 16" o.c.			HOOK BOT. BARS INTO BEAM, ALT. L/R REF. 3/S4.1 FOR REINF.
S-5	7	20					REF. 3/S4.1 FOR SLAB REINF.
S-6	NOT USED						
S-7	7	21.5					REF. 3/S4.1 FOR SLAB REINF.

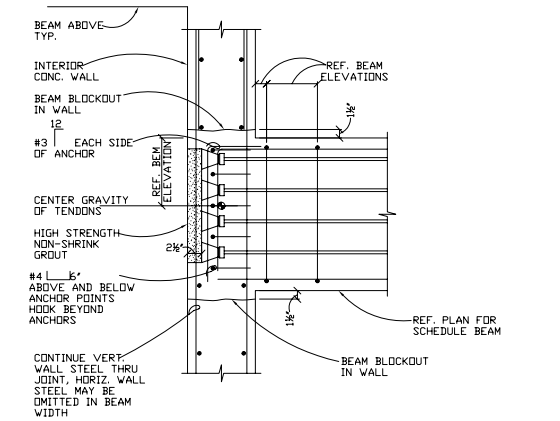
* 8" SLAB BETWEEN GRIDS 4 & 5.

1 S4.1 P/T SLAB SCHEDULE

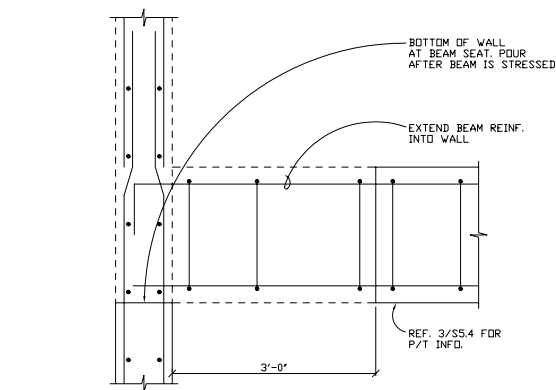


9 S5.3

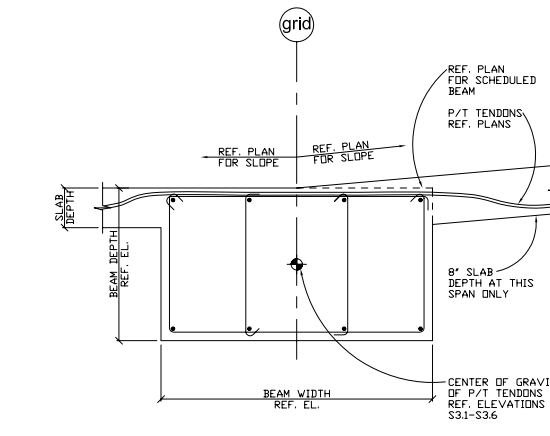
1 S5.4 BEAM TO WALL AT DEAD END ANCHOR



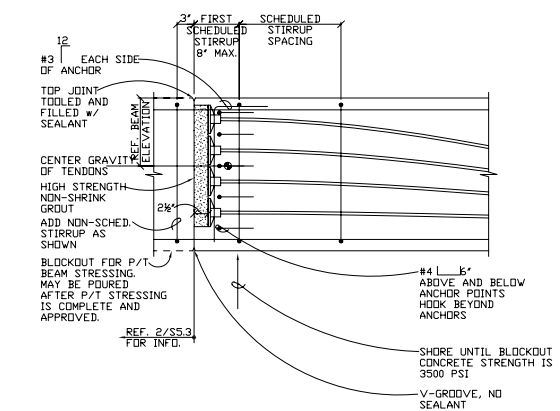
2 S5.4 BEAM TO WALL AT STRESSING END



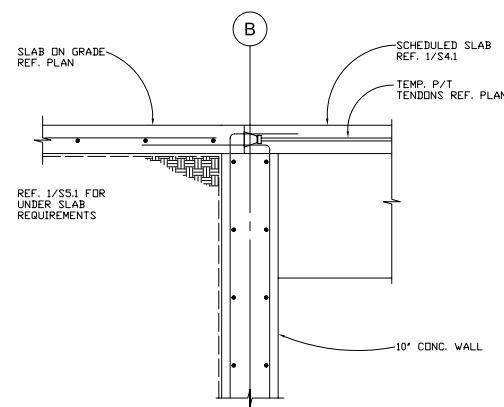
2 S5.3 BEAM BLOCKOUT AT EXT. WALL



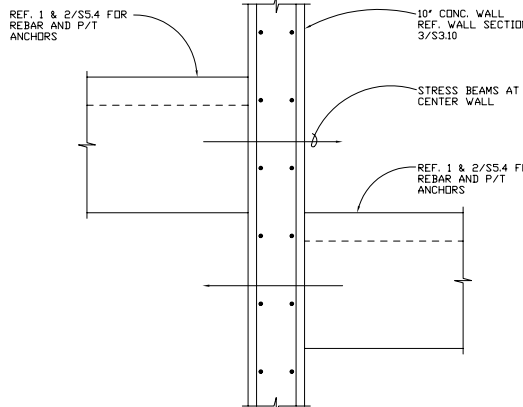
10 S5.3



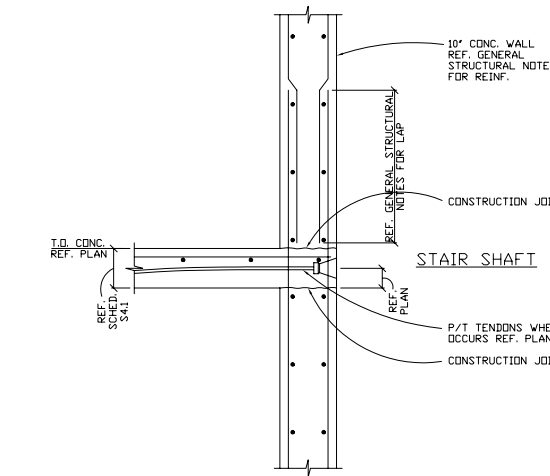
3 S5.4 BEAM BLOCKOUT P/T DETAIL



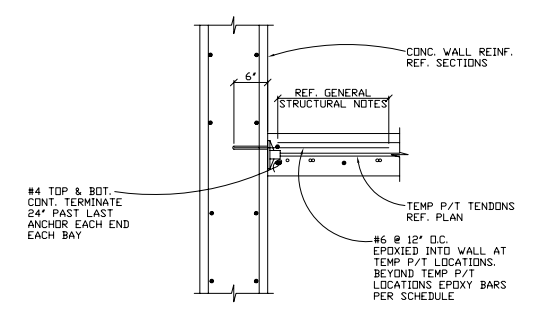
9 S5.1



3 S5.3 BEAM OFFSET AT CENTER WALL



12 S5.3



5 S5.4 P/T SLAB AT INTERIOR WALL DETAIL

NOTES:

ISSUED TO FIELD	8-9-05
NO.	REVISION / ISSUE DATE



GAR ENTERPRISES, LLC DRAWING DISCLAIMER
NOTE: GAR ENTERPRISES, LLC HAS DEVELOPED THIS DRAWING FROM INFORMATION PROVIDED BY THE CONTRACTOR, AS SHOWN ON THE BLOCK OF THIS DWG. ALL INFORMATION SHALL BE VERIFIED BY SAID CONTRACTOR BEFORE UTILIZING IT FOR ACTUAL CONSTRUCTION PURPOSES.

WHITAKER ELLIS
FIRST PRESBYTERIAN CHURCH
PORTLAND, OR

PROJECT #	0504	SHEET
DATE	JULY 30, 2005	SD-1
SCALE	AS SHOWN	

ELEVATED DECK DETAILS