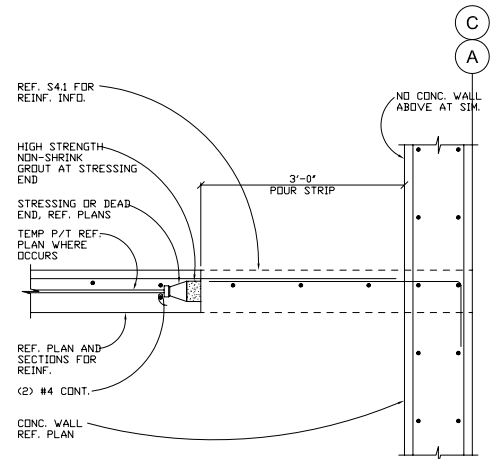
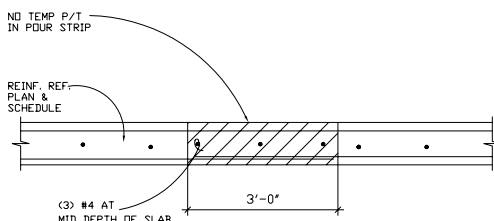


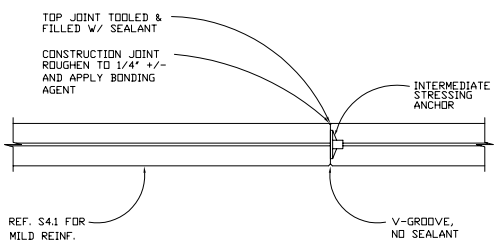
6 P/T SLAB AND CLOSURE STRIP DETAIL
S5.4



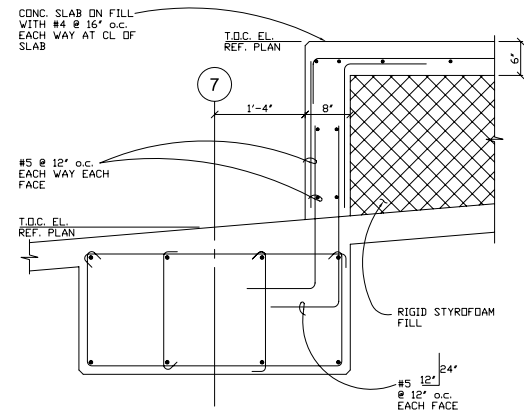
9 P/T SLAB AND CLOSURE STRIP DETAIL
S5.4



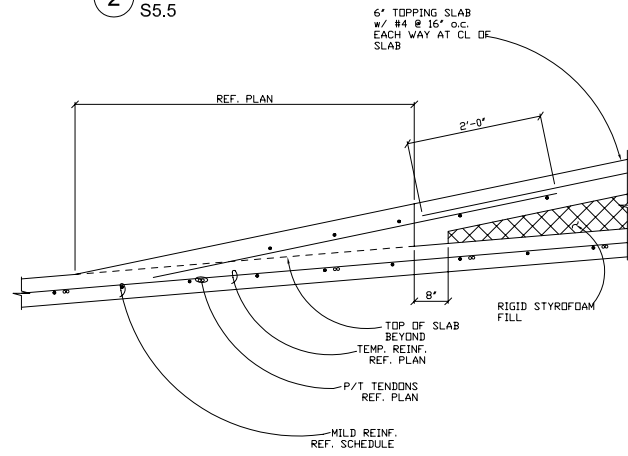
10 POUR STRIP DETAIL
S5.4



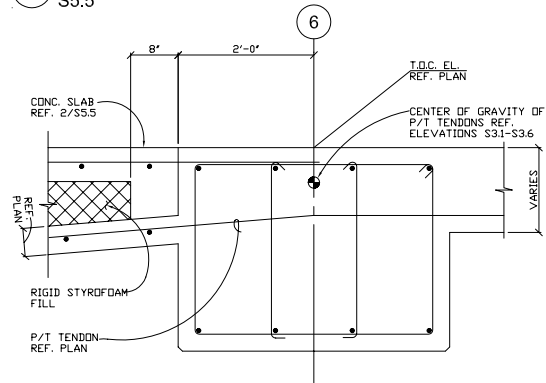
11 INTERMEDIATE STRESS POINT
S5.4



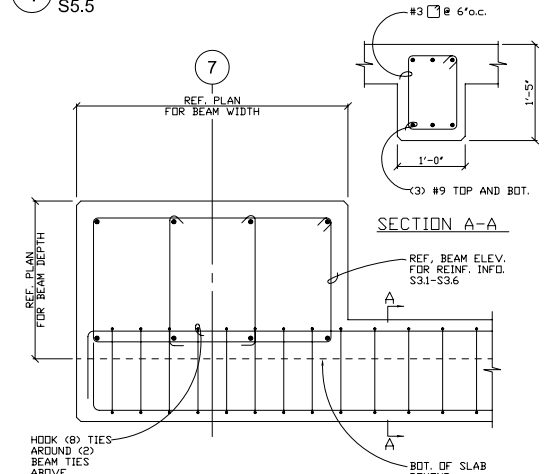
2 STEPPED SLAB DETAIL
S5.5



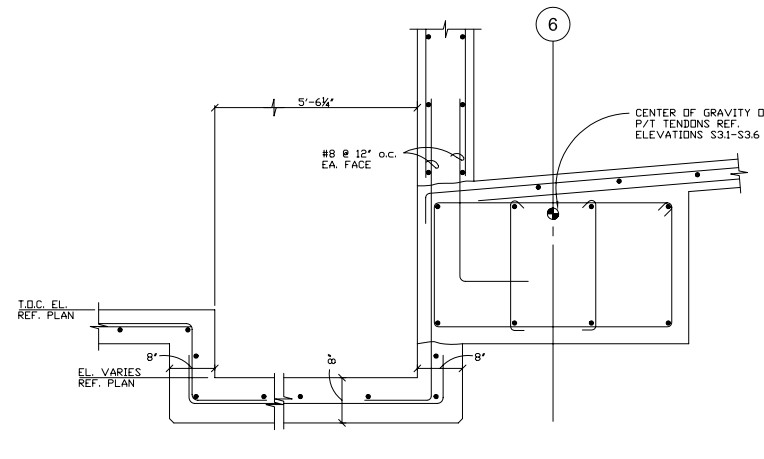
3 SLOPED SLAB DETAIL
S5.5



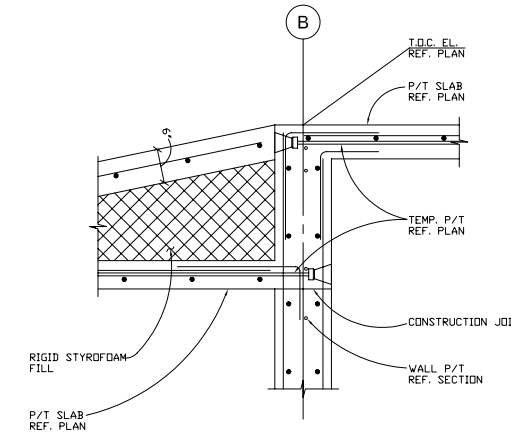
4 BEAM DETAIL
S5.5



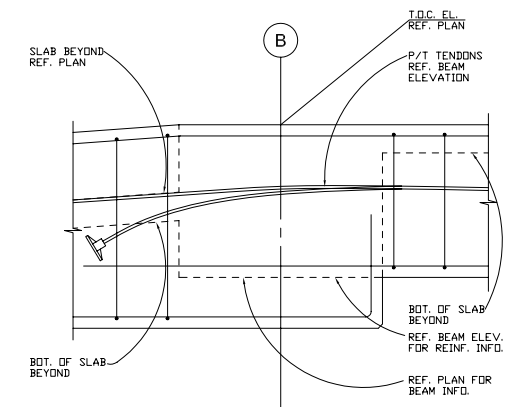
5 DROP DOWN BEAM DETAIL
S5.5



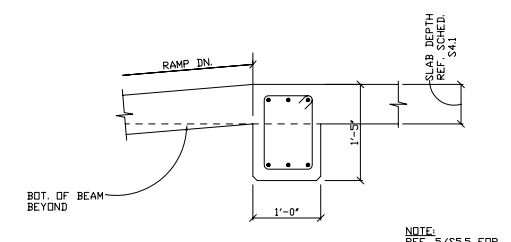
6 RAMP DETAIL
S5.5



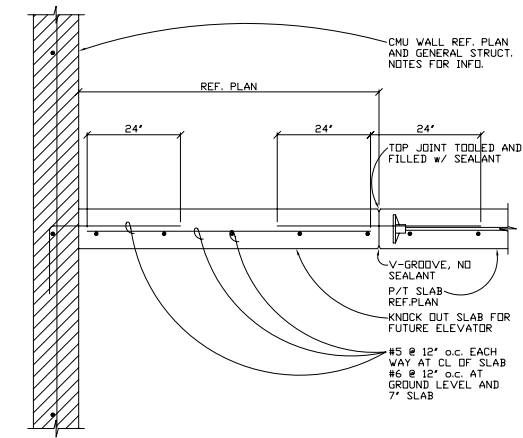
7 SLAB DETAIL
S5.5



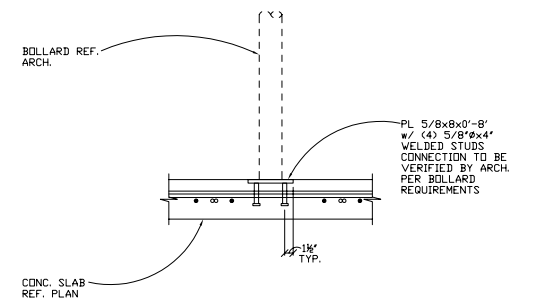
8 BEAM JOINT DETAIL
S5.5



9 BEAM DETAIL
S5.5



4 KNOCKOUT SLAB



7 BOLLARD EMBED. DETAIL
S5.6

NOTES:

ISSUED TO FIELD		8-9-05
NO.	REVISION / ISSUE	DATE

GAR
ENTERPRISES, LLC.
1776 W. MARLIN DRIVE
CHANDLER, AZ 85248
PHONE & FAX: 480-899-5367
E-MAIL: GARNETT@GARNET.COM

**GAR ENTERPRISES, LLC
DRAWING DISCLAIMER**
NOTE: GAR ENTERPRISES, LLC HAS DEVELOPED THIS DRAWING FROM INFORMATION PROVIDED BY THE CONTRACTOR, AS LISTED ON THE BACK OF THIS DWG. ALL INFORMATION SHALL BE VERIFIED BY SAID CONTRACTOR BEFORE UTILIZING IT FOR ACTUAL CONSTRUCTION PURPOSES.

**WHITAKER
ELLIS**
FIRST PRESBYTERIAN CHURCH
PORTLAND, OR

PROJECT #	0504	SHEET SD-1A
DATE	JULY 30, 2005	
SCALE	AS SHOWN	

**ELEVATED DECK
DETAILS**