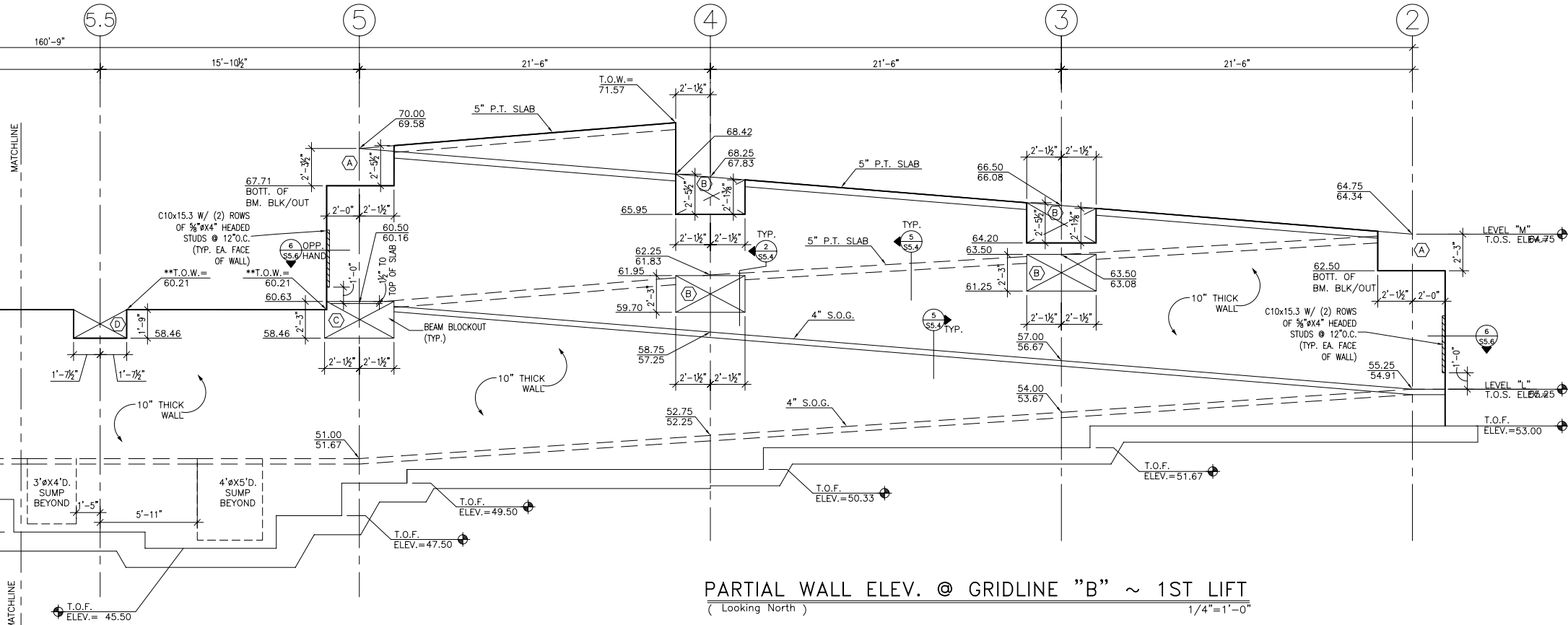
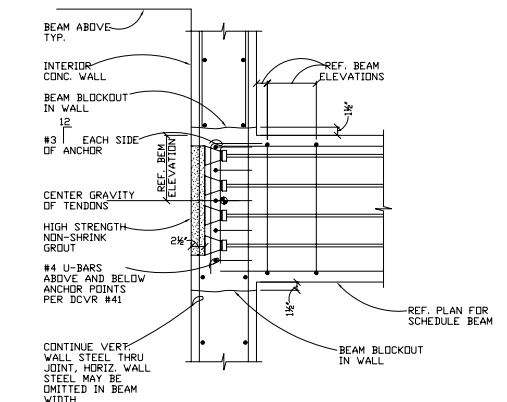
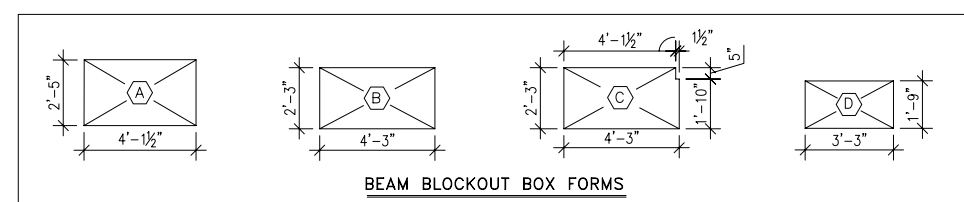


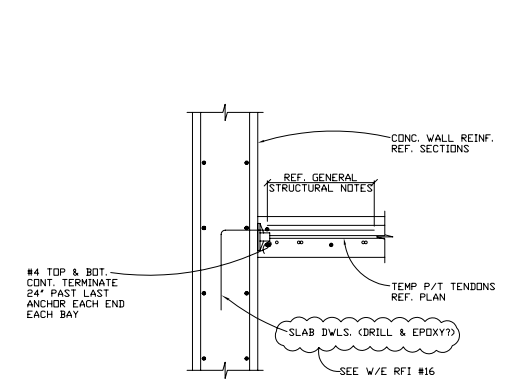
PARTIAL WALL ELEV. @ GRIDLINE "B" ~ 1ST LIFT
(Looking North) 1/4"=1'-0"



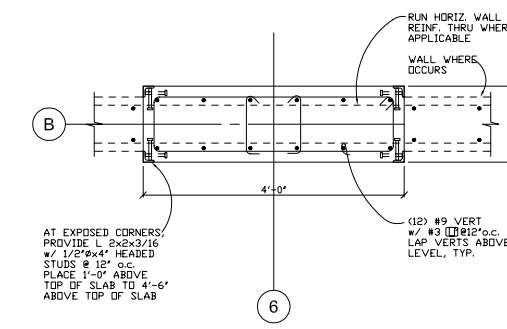
PARTIAL WALL ELEV. @ GRIDLINE "B" ~ 1ST LIFT
(Looking North) 1/4"=1'-0"



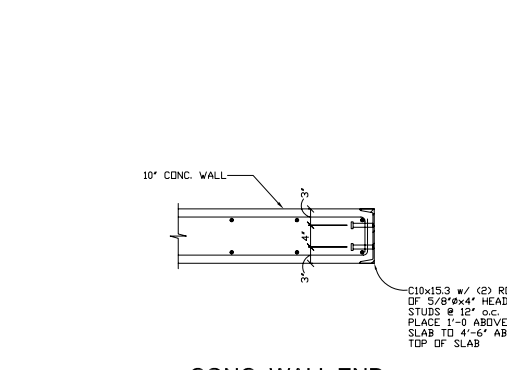
2 BEAM TO WALL AT STRESSING END
S5.4



5 P/T SLAB AT INTERIOR WALL DETAIL
S5.4



10 COLUMN DETAIL
S5.5



6 CONC. WALL END
S5.6

NOTES:
ALL DIMENSIONS ARE FROM GRIDLINES, UNLESS NOTED OTHERWISE ON PLANS AND DETAILS.
T.O.F. = TOP OF FOOTING
T.O.S. = TOP OF SLAB
T.O.W. = TOP OF WALL POUR
** = INDICATES THAT TOP OF WALL POUR ELEVATION INCLUDES 1/2" UP INTO SLAB/BEAM ABOVE.

XX.XX = TOP OF SLAB
XX.XX = BOTTL. OF SLAB
--- = NORTH SLAB
--- = SOUTH SLAB
X = BEAM BLOCKOUT FORM SIZE

ISSUED TO FIELD	6-24-05
NO.	REVISION / ISSUE
	DATE

GAR
ENTERPRISES, LLC
1776 W. MARLIN DRIVE
CHANDLER, AZ 85248
PHONE & FAX: 480-899-5367
E-MAIL: GARNETT@GARNET.COM

**GAR ENTERPRISES, LLC
DRAWING DISCLAIMER**
NOTE: GAR ENTERPRISES, LLC HAS DEVELOPED THIS DRAWING FROM INFORMATION PROVIDED BY THE CONTRACTOR, AS SHOWN ON THE BLOCK OF THIS DWG. ALL INFORMATION SHALL BE VERIFIED BY SAID CONTRACTOR BEFORE UTILIZING IT FOR ACTUAL CONSTRUCTION PURPOSES.

WHITAKER ELLIS
FIRST PRESBYTERIAN CHURCH
PORTLAND, OR

PROJECT #	0504	SHEET	
DATE	JUNE 20, 2005		
SCALE	AS SHOWN		W-1

GRID "B" WALL ELEVATION
1ST LIFT